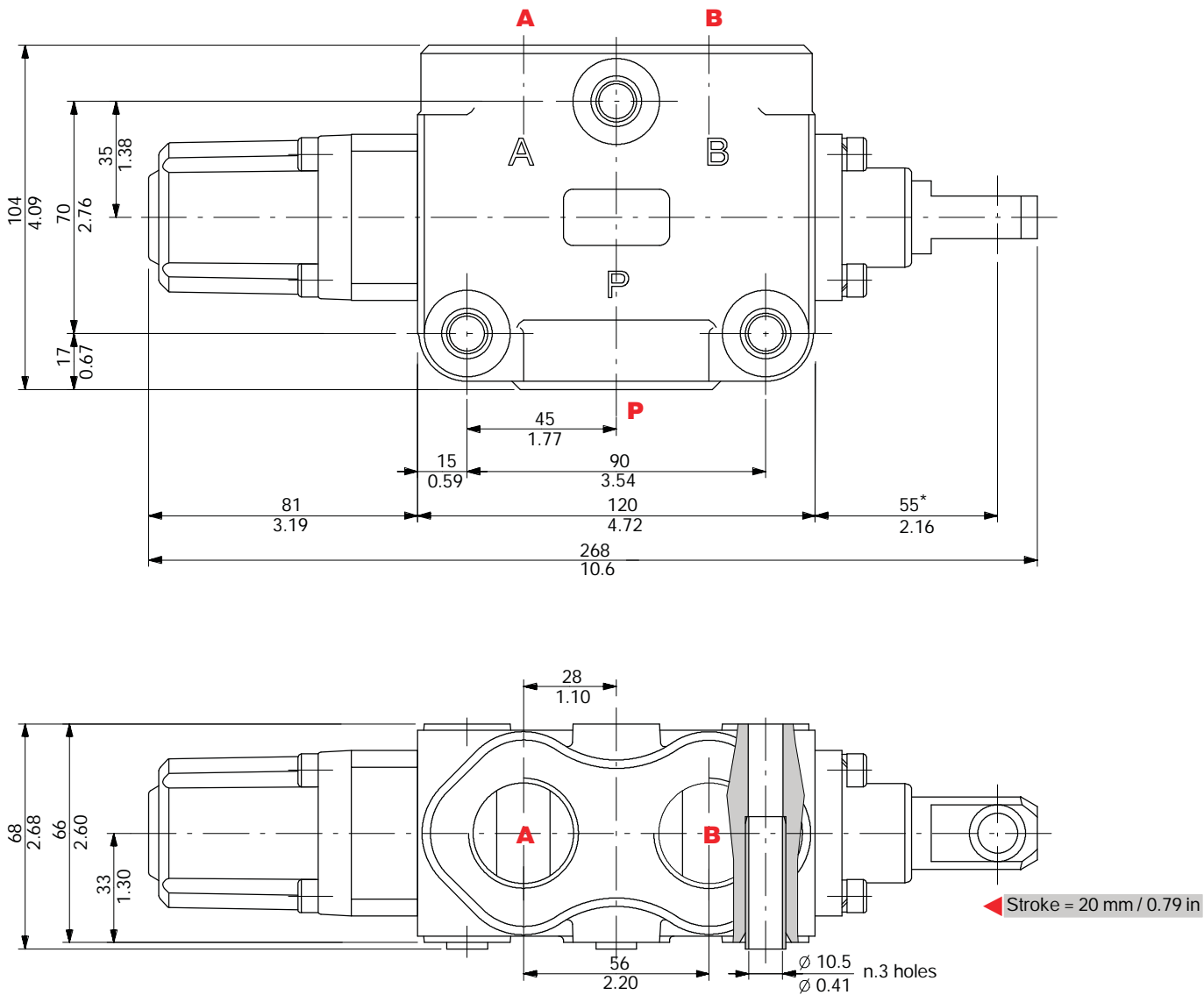


Dimensional data

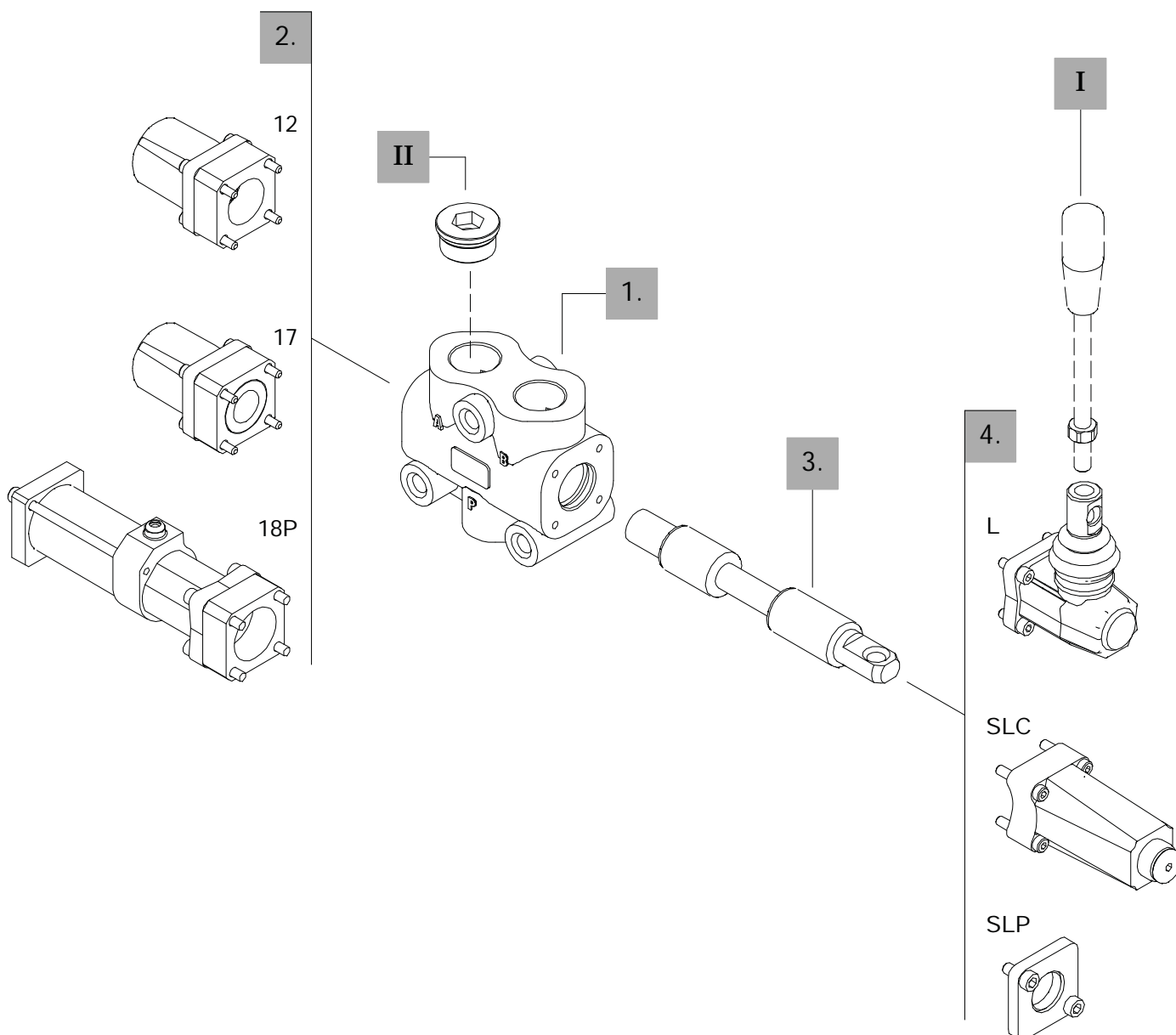
3-way DF25/3 valve



Ordering codes

Description example :

Diverter valve DF25/3 A 17 SLP
 1. 3. 2. 4.



3-way

1. Body kit *

TYPE	CODE	DESCRIPTION
DF25/3	5CO2271300	Standard body kit

Include body and seals

3. Spool options

TIPO	CODICE	DESCRIZIONE
A	3CAS125310	3-way, 2 positions with ports connected in transit position
B	3CAS125410	3-way, 2 positions with ports closed in transit position
AC	3CAS125320	As type A prearranged for cam control
BC	3CAS125420	As type B prearranged for cam control

2. Positioner kits page 46

TYPE	CODE	DESCRIPTION
12	5V12125000	Detent in positions 1 and 2
17	5V17125000	Spring return in position 1
18P	5V18125700	ON/OFF pneumatic kit with spring return in position 2
18E11	5V18125350	12VDC ON/OFF electro-hydraulic kit with spring return in position 2
	5V18125351	24VDC ON/OFF electro-hydraulic kit with spring return in position 2

4. Control kits page 50

TYPE	CODE	DESCRIPTION
SLP	5COP125000	Without lever box with dust-proof plate kit
SLC	5COP220000	Without lever box with endcap
L	5LEV120000	Standard lever box
CB	5CAM125020	Cam control
IA2	5IDR520000*	ON/OFF high pressure hydraulic control
IB2	5IDR720000*	ON/OFF low pressure hydraulic control

I Optional handlever

TYPE	CODE	DESCRIPTION
AL01/M12x200	170013020	For lever L, height 200 mm / 7.87 in

II Ports plug

TYPE	CODE	DESCRIPTION
G1	3XTAP740210*	Body conversion from 3-way to 2-way circuit

NOTE (*) - Codes are referred to BSP thread.